



❑ Innovative Gas Systems is a global technology company with operational centers in North America, Europe, Russia, Asia and the Middle East.

❑ Our products are world class with over 75 patents supporting our innovative technology in Nitrogen / Dehydration membranes, Nitrogen PSA and Oxygen PSA.

❑ Please visit our website for a review of the complete list of products from IGS or contact one of our local sales associates directly. .



**website**  
[www.igs-global.com](http://www.igs-global.com)

**e-mail**  
[igssales@igs-global.com](mailto:igssales@igs-global.com)

**IGS LOCATIONS**



**AMERICAS** Corporate Headquarters

**Generon® IGS**  
 16250 Tomball Parkway  
 Houston, TX 77086 USA  
 +1.713.937.5200 phone  
 +1.713.937.5250 fax

**EUROPE**

**Generon® IGS Europe**  
 c/o Office Center KÖ66  
 Königsallee 66  
 D-40212 Düsseldorf, Germany  
 +49.211.866.9145 phone  
 +49.211.866.9146 fax

**IGS Italia s.r.l.**

Via Giordania, 48  
 58100 Grosseto, Italy  
 +39.0564.4580.41/42 phone  
 +39.0564.4580.43 fax

**RUSSIA**

**Generon® IGS GUS Ltd.**  
 Balashikha  
 Lenin av 75  
 Moscow region, Russia 143900  
 +7.495.525.6744 phone  
 +7.903.689.8067 cell

**ASIA**

**IGS SMC Asia Gas System Co. Ltd.**  
 Shunfeng Rd., Shuangliu Aviation Harbor  
 Chengdu, Sichuan, P.R. China 610225  
 +86.28.8588.2034 phone  
 +86.28.8588.2037 fax

**IGS Asia Co., Ltd.**

2/3 Moo 14 Bangna Towers A  
 17th Floor, Bangna-Trad Rd., Bang Plee,  
 Samut Prakarn 10540, Thailand  
 +66.2751.9495 phone  
 +66.2751.9497 fax

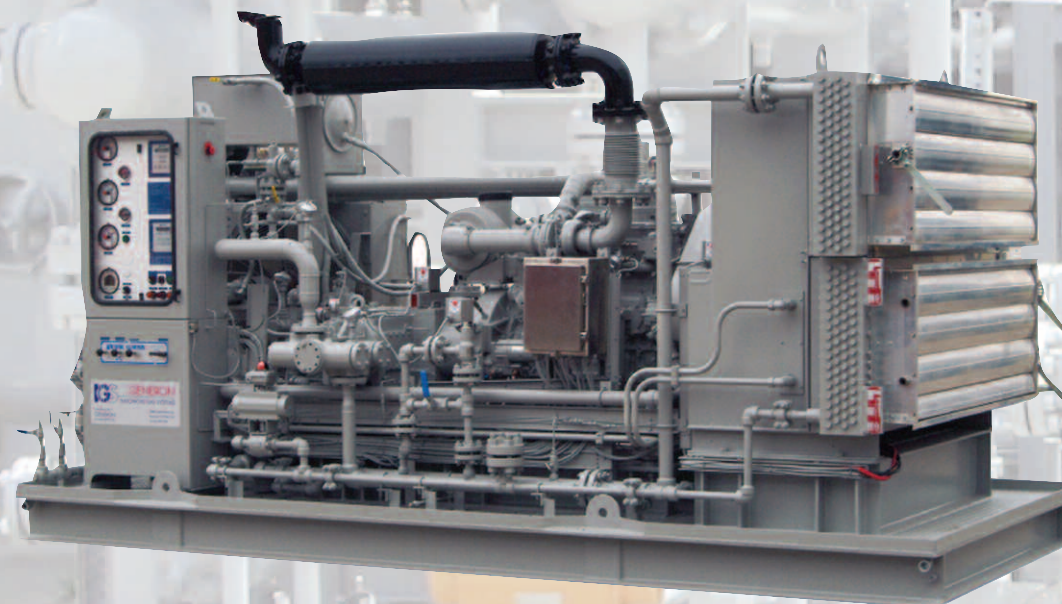
**MIDDLE EAST**

**Generon® IGS Middle East**  
 c/o Esnaad / ADNOC Group  
 P.O. Box 46121  
 Abu Dhabi, U.A.E.  
 +971.2.602.9000 phone  
 +971.2.602.9010 fax



- TRAILER MOUNTED
- CONTAINERIZED
- OR SKIDDED

**GAS COMPRESSION SYSTEMS**



- GAS ENGINE
- ELECTRIC OR
- DIESEL DRIVEN
- RECIPROCATING
- SCREW OR
- COMPOUND
- NATURAL GAS
- CARBON DIOXIDE
- SOUR GAS OR
- AIR/NITROGEN

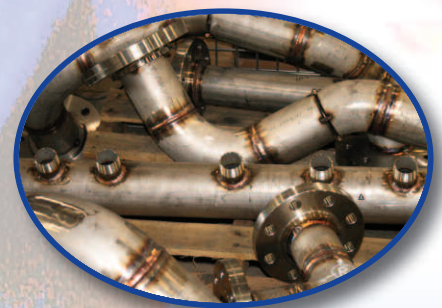


**From Concept to Completion,  
 We Provide Solutions!**

# Estimating BHP Charts

## INTERNAL CAPABILITIES

- LARGE IN-HOUSE ENGINEERING STAFF
- 3D AUTOCAD SYSTEM
- PLC PANELS BUILT IN-HOUSE
- HIGH SPEC PROJECT CAPABILITY
- FULL LOAD TESTING CAPABILITY
- ASME VESSEL SHOP
- DUAL 20 TON CRANES



## RECIPROCATING COMPRESSORS

- ▲ GEMINI
- ▲ COOPER
- ▲ ARIEL
- ▲ REAVELL COMPAIR

## SCREW COMPRESSORS

- ▲ COMPAIR
- ▲ SULLAIR
- ▲ GARDNER DENVER
- ▲ PRIME MOVERS
- ▲ CATERPILLAR
- ▲ DETROIT
- ▲ CUMMINS
- ▲ WAUKESHA

### ESTIMATING BHP per MSCF/D FOR 0.6SG NATURAL GAS

SUCTION PRESSURE PSIG	DISCHARGE PRESSURE				
	PSIG				
	100	350	500	750	1000
0	145	235	250	275	300
25	70	150	175	205	230
50	40	120	140	170	190
100		75	100	130	145
150			80	105	125
200			60	80	100
300			35	55	75
500				30	45

ONE STAGE	TWO STAGE	THREE STAGE
-----------	-----------	-------------

### ESTIMATING BHP/100 SCFM FOR ATMOSPHERIC AIR

	DISCHARGE PRESSURE				
	PSIG				
100	125	150	175	200	350
21	24	28	32	36	45

### ESTIMATING BHP/100 SCFM FOR AIR OR NITROGEN BOOSTER

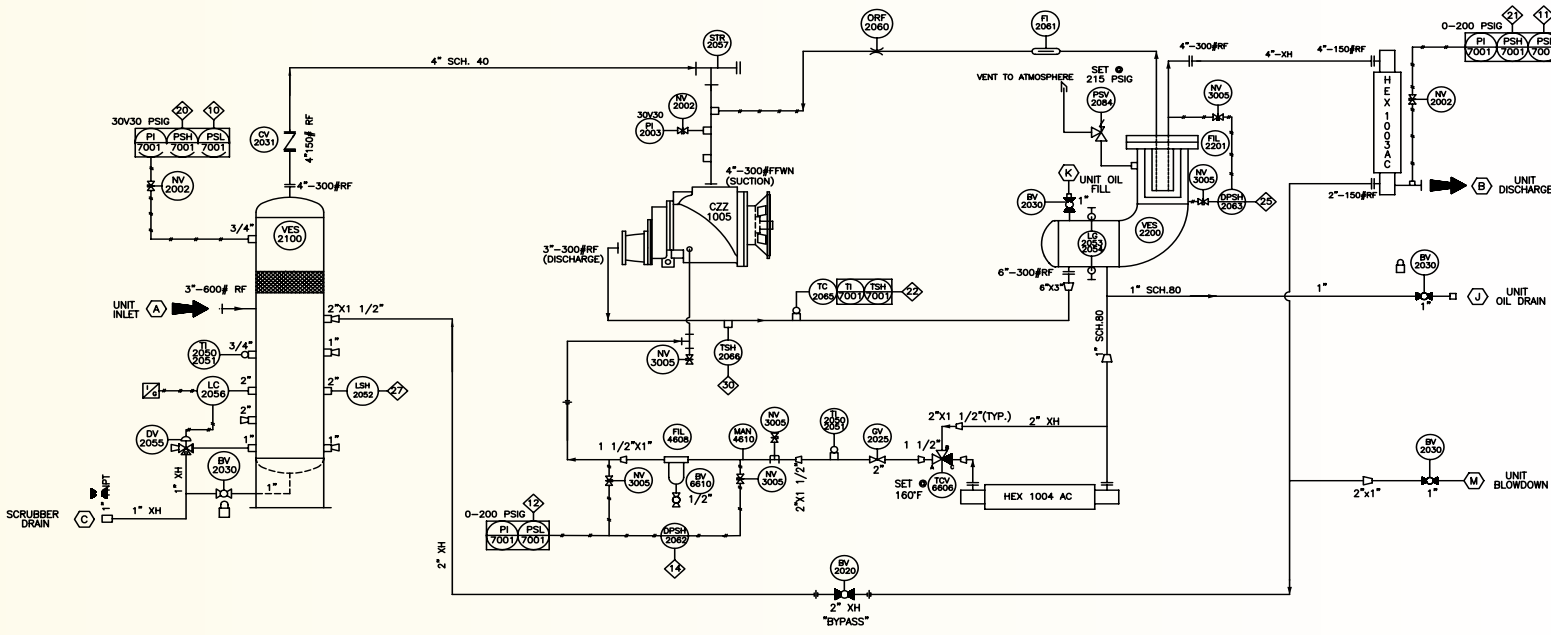
SUCTION PRESSURE PSIG	DISCHARGE PRESSURE				
	PSIG				
	1000	2000	3000	4000	5000
100	23	31	34	37	40
125	21	29	32	32	35
150	19	27	30	31	34
175	17	26	29	30	33
200	16	25	28	29	32
250	15	23	26	27	30
300	13	21	24	25	28
350	10	19	22	24	26

TWO STAGE	THREE STAGE	FOUR STAGE
-----------	-------------	------------



# Standard Products

## SCREW COMPRESSORS

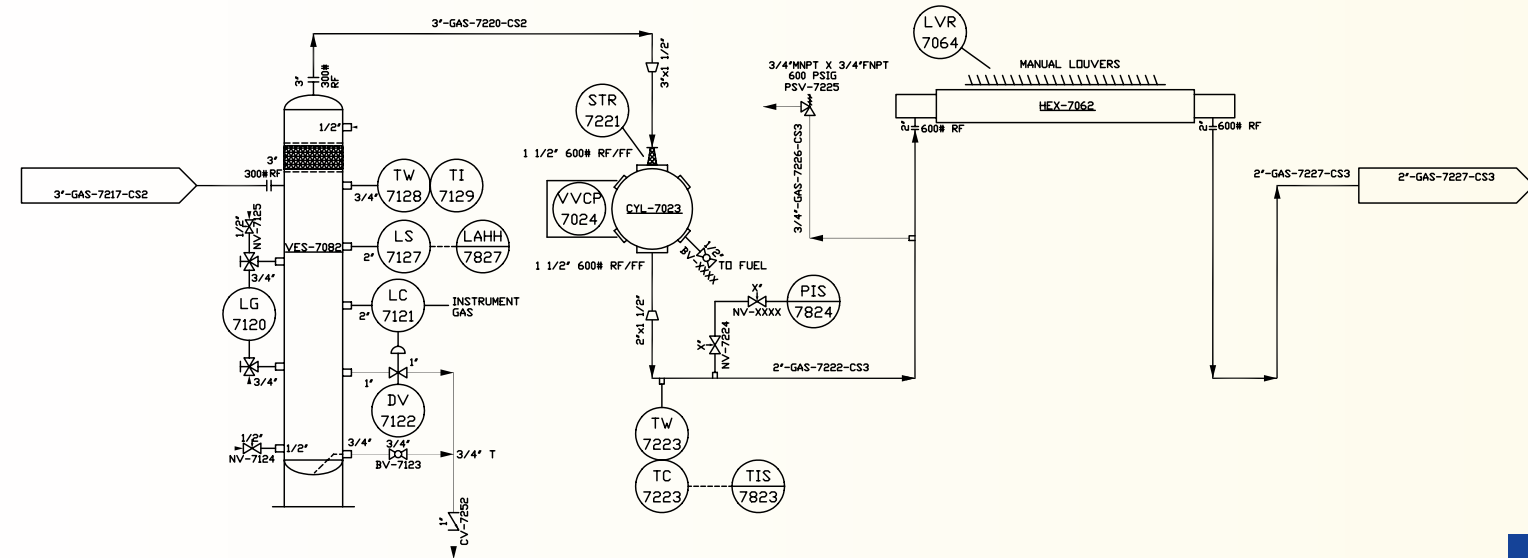


GS95	3304NA	GD SSM
ES150	MOTOR	GD SSM
GS145	3306NA	GD SSP
ES200	MOTOR	GD SSP
GS215	3406NA	GD SSQ
GS220	3306TA	GD SSQ
ES250	MOTOR	GD SSQ
GS365	3406TA	GD SSU
ES500	MOTOR	GD SSU
GS450	3408TA	GD SSY
GS670	3508LE	GD SSY
GS675	3412LE	GD SSY
ES700	MOTOR	GD SSY



## RECIPROCATING COMPRESSORS

GR95	3304NA	GE M302
ER100	MOTOR	GE M302
GR145	3306NA	GE H302
ER200	MOTOR	GE H302
GR215	3406NA	GE H304
GR220	3306TA	GE H304
GR255	3408NA	GE H304
ER300	MOTOR	GE H304
GR365	3406TA	GE A354
GR450	3408TA	GE A354
ER500	MOTOR	GE A354
GR670	3508LE	GE D502
GR675	3412LE	GE A354
ER700	MOTOR	GE A354





## Generon® Gas Compression

Generon has decades of experience in gas handling with nitrogen, oxygen and hydrogen systems. Over the years, we have provided pre-and/or post-compression with our systems. Generon now offers stand alone compression systems for natural gas, process gas and instrument air, as well as nitrogen and process compression, or containerized portable compression. Generon can provide a solution.

Our engineering staff has extensive experience handling "high spec" projects for process plants and the offshore energy industry. We also provide equipment built to Generon standards for clients who do not have highly developed specifications. We take great pride in the repeat business that says Generon's solutions meet or exceed the client's needs.



### APPLICATIONS

- NATURAL GAS PRODUCTION
- GAS LIFT
- PRESSURE MAINTENANCE
- CO2 REJECTION COMPRESSION
- N2 OR CO2 INJECTION
- GAS GATHERING
- GAS PIPELINE
- PROCESS GAS COMPRESSION
- WELL OR PIPELINE DEWATERING
- COAL BED METHANE COMPRESSION
- CARGO HOLD OR TANK INERTING

## IGS Generon® References, Standards and Track Record

### Sampling of Customer Reference List

- |                       |                               |                       |
|-----------------------|-------------------------------|-----------------------|
| ▲ ADM                 | ▲ Global Santa Fe             | ▲ Seatrade            |
| ▲ Adrasan Denizcilik  | ▲ Halliburton                 | ▲ Sener Petrol        |
| ▲ Aker Kvaerner       | ▲ Hamworthy                   | ▲ Shell               |
| ▲ Allied Signal       | ▲ Hibernia                    | ▲ Smit                |
| ▲ Amerada Hess        | ▲ Hyundai                     | ▲ Statoil             |
| ▲ Aramco              | ▲ KBR                         | ▲ Stolt               |
| ▲ Armona Denizcilik   | ▲ KGS Shipping                | ▲ Tersan Tersanecilik |
| ▲ Birlesik Denizcilik | ▲ Linde                       | ▲ Torlak Denizcilik   |
| ▲ BOC                 | ▲ MidCon/Chesapeake Energy    | ▲ Transocean          |
| ▲ BP                  | ▲ Mitsubishi Heavy Industries | ▲ Unitor              |
| ▲ Chevron/Texaco      | ▲ Odra Gas                    | ▲ VSEL                |
| ▲ Conoco/Phillips     | ▲ Oilvest                     | ▲ Weatherford         |
| ▲ Daewoo              | ▲ Pemex                       | ▲ Yildirim SY         |
| ▲ Desan Shipbuilding  | ▲ Petromarine                 | ▲ And Many More       |
| ▲ Dow Chemical        | ▲ Rexroth                     |                       |

### Industry Standards

- |           |                           |                  |
|-----------|---------------------------|------------------|
| ▲ ASME    | ▲ Customer Specifications | ▲ IEC            |
| ▲ CE      | ▲ Bureau Veritas          | ▲ NFPA RINA      |
| ▲ CENELEC | ▲ Germanischer Lloyd      | ▲ Class 1 Div 2  |
| ▲ DNV     | ▲ ANSI                    | ▲ Class 1 Zone 2 |
| ▲ Lloyds  | ▲ ABS                     | ▲ GOST           |
| ▲ CSA     | ▲ Beseefa                 | ▲ Class NK       |

### Other Products and Capabilities

- |                                    |                                           |
|------------------------------------|-------------------------------------------|
| ▲ Marine Nitrogen Systems          | ▲ Nitrogen PSA Systems                    |
| ▲ Instrument Air Systems           | ▲ Liquid Nitrogen Plant                   |
| ▲ Nitrogen Bottle Filling Stations | ▲ Integrated Compression/Membrane Systems |
| ▲ Membrane Air Dryer Systems       |                                           |
| ▲ Rental Nitrogen Systems          |                                           |

**GENERON COMPRESSOR PACKAGES ARE OPERATING ON FIVE CONTINENTS AND EVERY OCEAN**